



The Medium Garden LUX

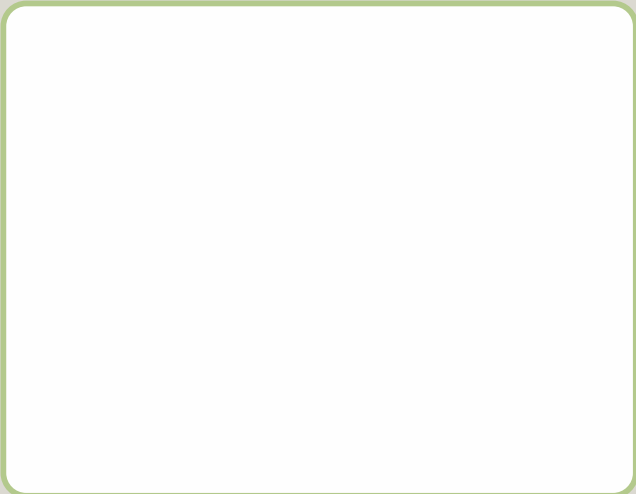


Interior of Garden LUX



Interior of Garden Lodge with Extension

Please ask a member of staff for your personal show quotation and details of any show incentives that are available.



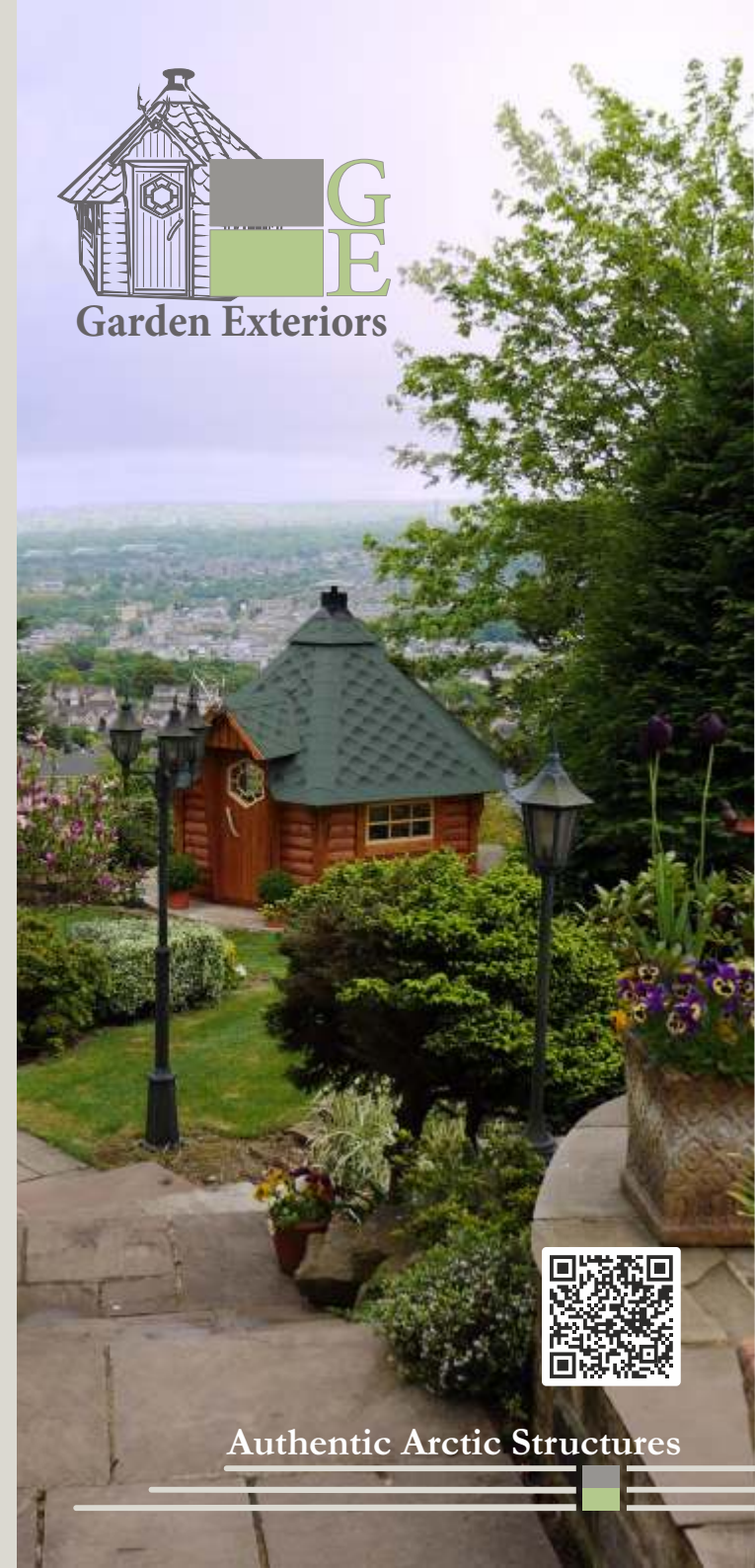
All our products are available for Order at Shows around the UK or by Telephone:  
**01827 705215**  
Mobile: 07754 103983

You can also e-mail your enquiry to [info@gardenexteriors.co.uk](mailto:info@gardenexteriors.co.uk) or visit our website at [www.gardenexteriors.co.uk](http://www.gardenexteriors.co.uk)

Garden Exteriors Limited  
Spon Lane, Grendon,  
Warwickshire, CV9 2PD

**Garden Exteriors - regular winners of RHS Awards over the past 15 years.**

Cover picture shows a Medium Size Garden Lodge with a Green Roof.



Authentic Arctic Structures



## Retail Price List - Structures

Prices shown in brackets are exclusive of VAT

Small Garden Room or Office	(£6625.00)	£ 7,950.00
Small Garden Lodge or Office	(£5791.66)	£ 6,950.00
Small Garden LUX or Office	(£6625.00)	£ 7,950.00
Medium Garden Room or Office	(£7458.34)	£ 8,950.00
Medium Garden Lodge or Office	(£6625.00)	£ 7,950.00
Medium Garden LUX or Office	(£7458.33)	£ 8,950.00
Medium Garden Cabin or Office	(£5166.67)	£ 6,200.00
Large Garden Lodge or Office	(£10833.34)	£ 13,000.00
Small Garden Lodge or Office		
With Single Extension	(£8291.67)	£ 9,950.00
Small Garden LUX or Office		
With Single Extension	(£9125.00)	£ 10,950.00
Medium Garden Lodge or Office		
With Single Extension	(£9125.00)	£ 10,950.00
Medium Garden Lodge or Office		
With Double Extension	(£11250.00)	£ 13,500.00
Medium Garden LUX or Office		
With Single Extension	(£9958.34)	£ 11,950.00
Medium Garden LUX or Office		
With Double Extension	(£12,083.34)	£ 14,500.00
Single Extension ONLY - from	(£3083.34)	£ 3,700.00

Retro fitted to any medium Garden Lodge supplied by Garden Exteriors

## Retail Price List - Accessories

Prices shown in brackets are exclusive of VAT

AC1 Hospitality Pack	(£187.50)	£ 225.00
To include 6 of each Knives, Forks, Wooden Mugs, Wooden Schnapps Cups & Wooden Plates plus a Wooden Clock, a Thermometer, a Visitor Book and a Pair of 'Binocular' Schnapps Bottles, a 'Telephone' Bottle Opener and a Napkin Holder.		
CP1 Catering Pack	(£270.84)	£ 325.00
To include a Kettle Arm, a Manually Operated Fish/Meat Rotator, a Pair of Grill Mitts, a Tea Pot & Wooden Trivet, a Cooking Rail, a set of Cooking Utensils, Cast Iron Skillet, a Saucepan Arm and a Set of Antlers.		
AC2 Authentic Reindeer Hide (each)	(£104.17)	£ 125.00
AC3 Extended Fire Safety Guard	(£82.50)	£ 99.00
AC4 External Log Box	(£104.17)	£ 125.00
OW1 Extra Opening Traditional Window		
	(£166.67)	£ 200.00
OW2 Extra Opening Vertical Window		
	(£291.67)	£ 350.00
SP1 Set of 5 Seat Pads	(£291.67)	£ 350.00
DD1 Traditional Door Downgrade (LUX)		
	(-£125.00)	£ -150.00
DU1 Full Length Double Glazed Door Upgrade (Lodges)		
	(£125.00)	£ 150.00
TT1 Table Top Conversion	(£100.00)	£ 120.00

Fits on top of Cooking/Heating Unit. Suitable for Small or Medium Garden Lodges, Rooms or LUX.

(Please Note: All accessories are available to Garden Exteriors' customers but are subject to carriage charges if ordered separately).

Garden Exteriors is a family owned business. We have been exclusively selling our range of Authentic Arctic Structures for more than 15 years and are proud to be the sole UK suppliers of this superior range of Garden Lodges, Rooms and Cabins; each one is still hand made to order within the Arctic Circle, so is truly an Authentic Arctic Structure.

With 45mm thick solid timber walls and 9mm double glazed windows and doors each building will withstand virtually anything that nature can throw at it. Each structure will keep you insulated and warm in the winter as well as cooler in the summer so it's the perfect solution for entertaining your family and friends, or for use as a garden office, all year round.

We care about the environment - all Garden Exteriors' structures are manufactured in Finnish Lapland from sustainably sourced FSC Certified Scandinavian Redwood. The FSC accreditation and certification of our structures is independently verified by the Royal Horticultural Society from whom we have won numerous show awards over many years.



## Standard Specifications: Garden Lodges, Rooms & LUX.

Small, Medium or Large size structures.  
45mm Thick Half Round Scandinavian Redwood Log.  
Double Tongue and Groove F. S.C. Timber,  
(in accordance with RHS Rules & Regulations).  
Tanalised Sub-Floor Frame with Ventilation.  
Secondary Roof Ventilation.  
Industrial Felted Roof (Black, Green, Terracotta Red)  
with 10 Year Manufacturers Guarantee.  
9mm Double Glazed Windows.  
Galvanised Powder Coated Chimney  
(Telescopic - except in the Large).  
Galvanised Powder Coated Cooking/Heating Unit.  
Galvanised Powder Coated External Chimney Cowl.  
Seating for 10+ plus 2 Seat Extensions in the Small  
Seating for 15+ plus 3 Seat Extensions in the Medium.\*\*  
Seating for 20+ plus 3 Seat Extensions in the Large.\*\*  
Six Removable Lap Trays (Eight in the Large).

## Typical Specifications - Garden Lodge

### Standard Specifications PLUS:

Loft Storage Space above Door Gable.  
Double Skinned Door with Security Lock and Key.

## Typical Specifications - Garden Room

(N.B. Not available as a large structure).

### Standard Specifications PLUS:

5 x Extra Large Windows (3 Opening + 2 Fixed).  
Double Skinned Double Doors with Security Lock & Key.  
All Windows & Doors are Tinted & 9mm Double Glazed.

## Typical Specifications - Garden LUX:

### Standard Specifications PLUS:

2 x Traditional Double Glazed Windows.  
2 x Vertical Double Glazed Windows.  
1 x Blank Wall.  
Full Length Double Glazed Door with Security Lock.  
3 x Loft Storage Areas above Door & Windows.

## Extensions (Available as single or double).

Extensions can be fitted to any of our structures except the Cabin and are supplied totally empty in readiness for conversion for specific purposes. Each extension has a tanalised sub-frame, two blank walls and one double glazed window wall.

\*\* The Number of Seat Extensions and therefore the seating capacity are reduced when extensions are fitted - please ask for more information.

Please Note that the Garden Cabin specifications vary to those shown above - please see our website for details.





Garden Rooms



Garden Lodges



Garden Cabin



Garden LUX

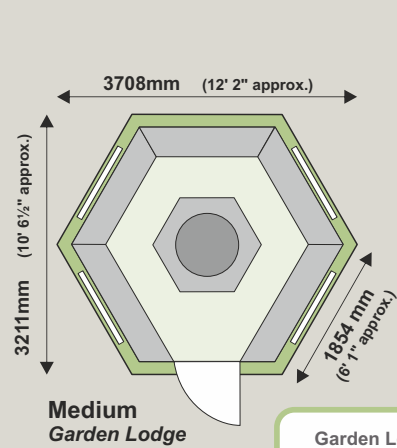


Garden Lodges with Extensions

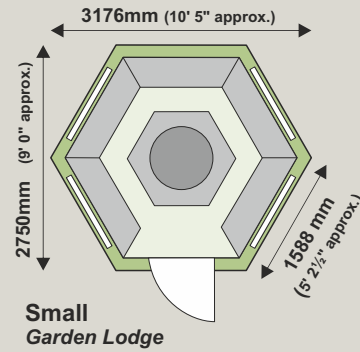




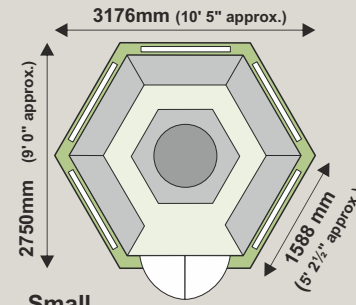
Drawings Not to Scale. All dimensions shown in this brochure are subject to manufacturing tolerances & changes.



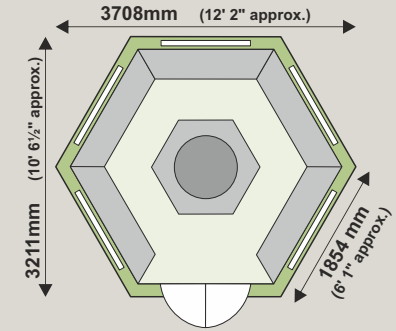
**Medium Garden Lodge**



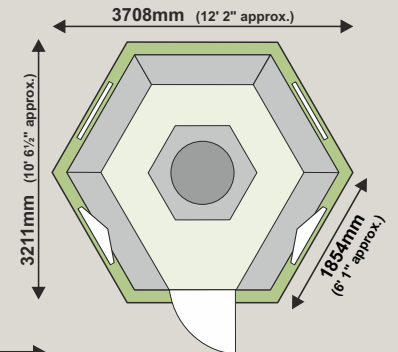
**Small Garden Lodge**



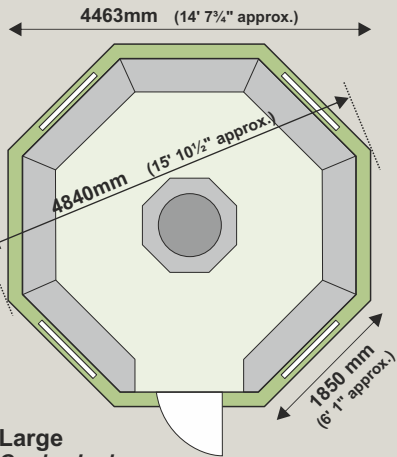
**Small Garden Room**



**Medium Garden Room**



**Medium Garden LUX**



**Large Garden Lodge**

**Garden Lodges**  
 Door Size: 730mm x 1680mm (2' 4 1/4" wide x 5' 6 1/4" approx.)  
 Note: Entrance size can be modified to provide wheelchair access.  
 Window Size: 800mm wide x 430mm (2' 7 1/2" x 1' 5" approx.)

**Garden LUX**  
 Door Size: 730mm x 1680mm (2' 4 1/4" wide x 5' 6 1/4" approx.)  
 Horizontal Window Size: 800mm wide x 430mm (2' 7 1/2" x 1' 5" approx.)  
 Vertical Window Size: 675mm wide x 1140mm (2' 2 1/2" x 3' 6" approx.)

**Garden Rooms**  
 Door Size: 1065mm wide x 1550mm (3' 6" x 5' 1" approx.)  
 Window Size: 890mm wide x 800mm (2' 11" x 2' 7 1/2" approx.)

**Garden Cabin**  
 Door Size: 720mm wide x 1610mm (2' 4 1/4" x 5' 3 1/4")  
 Window Size: 790mm wide x 540mm (2' 7" x 1' 9 1/4" approx.)

**Other basic dimensions of Garden Structures:**  
 All sizes shown are approximate.

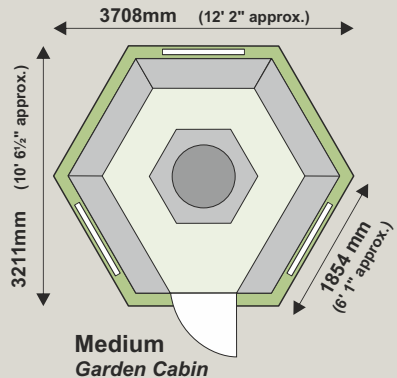
**Maximum Diameter at Base**  
 Small: 3176 mm (10' 5")  
 Medium: 3708 mm (12' 2")  
 Large: 4840 mm (15' 10 1/2")

**Maximum Diameter of Roof Overhang**  
 Small: 4038 mm (13' 3")  
 Medium: 4470 mm (14' 8")  
 Large: 5879 mm (19' 3 1/2")

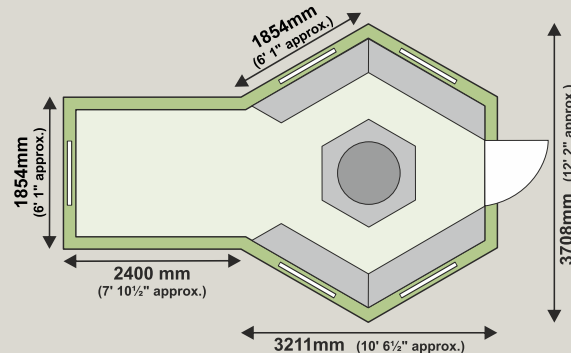
**Overall Height including Chimney**  
 Small: 3090 mm (10' 1 1/4")  
 Medium: 3330 mm (10' 11")  
 Large: 3967 mm (13' 0")

A full **Maintenance Service** is available where we will visit your premises to inspect, carry out any necessary maintenance and treat your Authentic Arctic Structure so that it is ready for many more years service. Both our maintenance and **Relocation Services** are quoted on an individual basis so please call us on **01827 705215** for more information or put in a request for a quote by e-mail or through our web site.

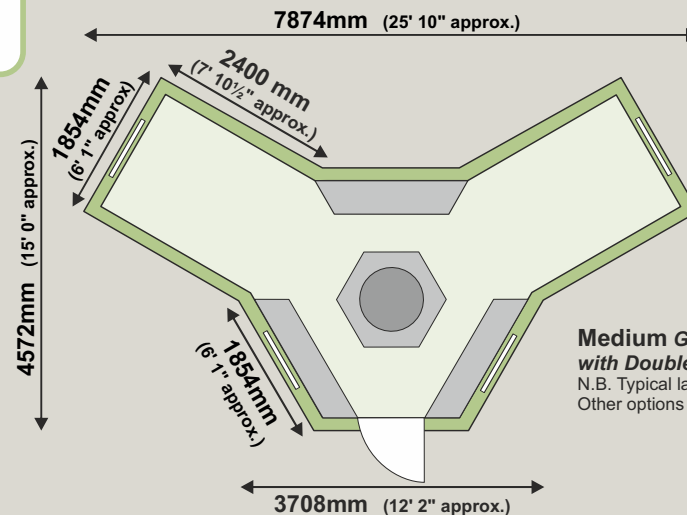
Please remember, that when siting your structure, we recommend leaving at least 2 Metres clearance all round to allow for any local planning requirements and to carry out basic maintenance procedures and treatments.



**Medium Garden Cabin**



**Medium Garden Lodge with Single Extension**  
 N.B. Extension can be fitted to any wall except entrance.



**Medium Garden Lodge with Double Extension**  
 N.B. Typical layout illustrated. Other options are available.