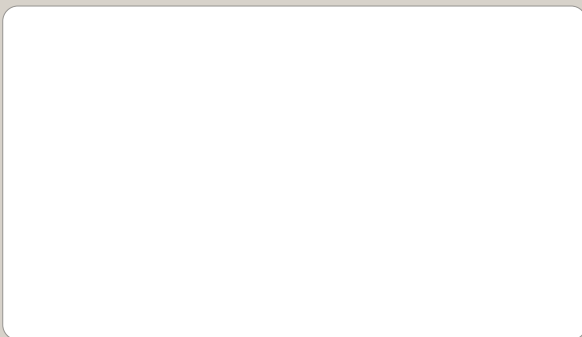




Please ask a member of staff for your personal show quotation and details of any show incentives.



Telephone:

01827 705215

You can also e-mail your enquiry to

info@gardenexteriors.co.uk

or visit our website at

www.gardenexteriors.co.uk



Garden Exteriors Limited

Spon Lane, Grendon, Warwickshire, CV9 2PD



The Medium Garden LUX

Available exclusively from



Garden Exteriors

Authentic Arctic Structures





Retail Price List - Garden LUX

Prices shown in brackets are exclusive of VAT

The Garden LUX comes complete, AS STANDARD, with Two Traditional Double Glazed Windows, Two Vertical Double Glazed Windows, One Blank Wall, Full Length Double Glazed Door with Security Lock, Industrial Grade Roof Tiles in Terracotta, Green or Black, Tanalised Sub-Floor with Ventilation, Seats and Seat Extensions and a Powder Coated Cooking/Heating Unit complete with Day Safety Guard, Six Detachable Lap Trays and a Powder Coated Telescopic Chimney. There are also three loft storage areas above the door and the two vertical windows.

- | | | | |
|-----|--|-------------|------------|
| A16 | Medium Garden LUX | (£7333.34) | £ 8,800.00 |
| A17 | Medium Garden LUX
With Single Extension | (£9833.34) | £11,800.00 |
| A18 | Medium Garden LUX
With Double Extension | (£12333.34) | £14,800.00 |

Optional Extras, Accessories & Add-Ons available for the Garden Lux

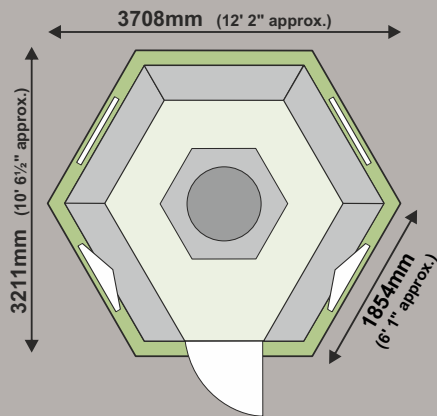
A15 Single Extension ONLY

Retro fitted to any medium Garden LUX supplied by Garden Exteriors
From (£3083.34) £ 3,700.00

- | | | | |
|---|----------------------------------|-----------|----------|
| AC1 | Hospitality Pack | (£187.50) | £ 225.00 |
| To include 6 of each Knives, Forks, Wooden Mugs, Wooden Schnapps Cups & Wooden Plates plus a Wooden Clock, a Thermometer, a Visitor Book and a Pair of 'Binocular' Schnapps Bottles, a 'Telephone' Bottle Opener, a Napkin Holder and a Set of Antlers. | | | |
| CP1 | Catering Pack | (£270.84) | £ 325.00 |
| To include a Kettle Arm, a Manually Operated Fish/Meat Rotator, a Pair of Grill Mitts, a Tea Pot & Wooden Trivet, a Cooking Rail, a set of Cooking Utensils and a Saucepan Arm. | | | |
| AC2 | Authentic Reindeer Hide (each) | (£104.17) | £ 125.00 |
| AC3 | Extended Fire Safety Guard | (£82.50) | £ 99.00 |
| AC4 | External Log Box | (£104.17) | £ 125.00 |
| OW1 | Extra Opening Traditional Window | (£166.67) | £ 200.00 |
| OW2 | Extra Opening Vertical Window | (£291.67) | £ 350.00 |
| CV2 | Set of 5 Seat Cushions | (£291.67) | £ 350.00 |
| TT1 | Table Top Conversion | (£100.00) | £ 120.00 |
| Fits on top of Cooking/Heating Unit. | | | |

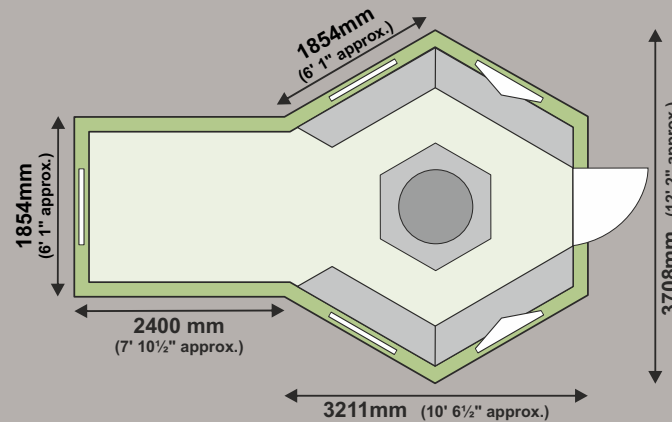
For Delivery and Installation Costs please refer to our Map which is on Display at Shows.

(A16) Medium Garden LUX



Door Size: 730mm x 1680mm (2' 4 3/4" wide x 5' 6 1/4" approx.)
 Note: Entrance size can be modified to provide wheelchair access.
Horizontal Window Size: 800mm wide x 430mm (2' 7 1/2" wide x 1' 5" approx.)
Vertical Window Size: 675mm wide x 1140mm (2' 2 1/2" wide x 3' 6" approx.)
Maximum Diameter at Base: 3708mm (12' 2")
Maximum Diameter of Roof Overhang: 4470mm (14' 8")
Overall Height including Chimney: 3330mm (10' 11")

(A17) Medium Garden LUX with single extension.



Door Size: 730mm x 1680mm (2' 4 3/4" wide x 5' 6 1/4" approx.)
 Note: Entrance size can be modified to provide wheelchair access.
Window Size: 800mm wide x 430mm (2' 7 1/2" wide x 1' 5" approx.)
Vertical Window Size: 675mm wide x 1140mm (2' 2 1/2" wide x 3' 6" approx.)
Maximum Dimensions at Base: 3708mm (12' 2") Wide x 5611 (18' 5") Long
Maximum Diameter of Roof Overhang: 4470mm (14' 8")
Maximum Height including Chimney: 3330mm (10' 11")
 Extension can be fitted to any of the five sides.